

# SanTRAL® ABU

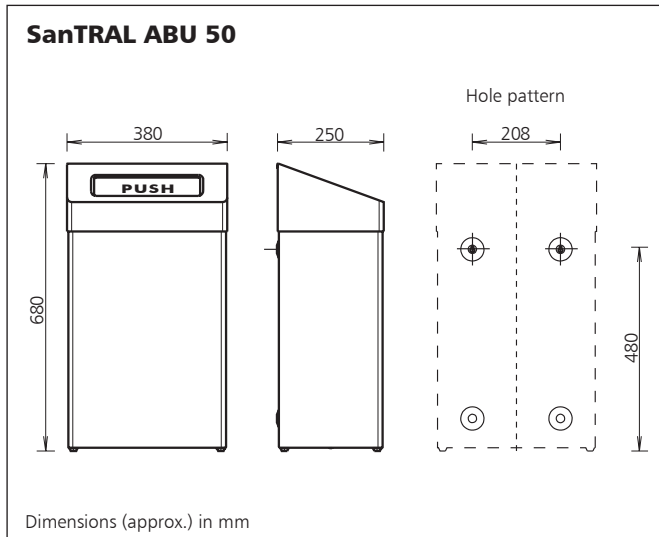
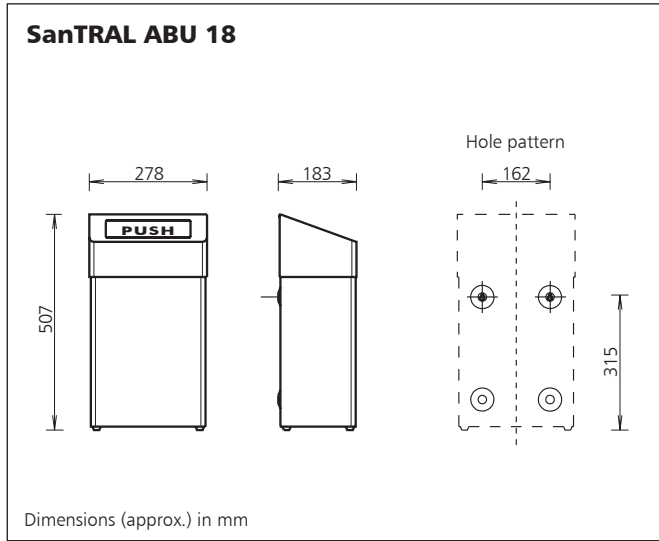
closed waste container

with self-closing, maintenance free flap

free standing or for wall mounting

**OPHARDT**  
hygiene

Ophardt Hygiene-Technik GmbH + Co. KG  
Lindenau 27 • D-47661 Issum  
Tel.: +49 2835 18-0 • Fax: +49 2835 18-77  
E-Mail: info@ophardt.com • www.ophardt.com



## Waste container

- References:
- ▶ for universal application
  - ▶ old people's-/ nursing homes, hospitals, laboratories, industry, shopping centers, gastronomy and hotels, airports, penal institutions, schools, sport facilities, administrations

## Place of application:

- ▶ washrooms, toilets, baths, care and medical rooms, offices

## Technical Data

- Housing: Stainless steel, brushed and ground or powder coated (white RAL 9010)
- Insertion flap: Stainless steel, brushed and ground, self-closing
- Mounting: with two plugs and steel screws suitable for wall mounting or free standing
- Capacity: 18 liters, 50 liters

## Description for tender

..... pcs. **SanTRAL ABU 18 P Art-No. 1415053**  
waste container, 18 liters, stainless steel, powder coated (white RAL 9010), self-closing, maintenance free insertion flap made of stainless steel, free standing or for wall mounting  
Dimensions W 278 x H 507 x D 183 mm

..... pcs. **SanTRAL ABU 18 E Art-No. 1415052**  
waste container, 18 liters, stainless steel, brushed and ground, self-closing, maintenance free insertion flap made of stainless steel, free standing or for wall mounting  
Dimensions W 278 x H 507 x D 183 mm

..... pcs. **SanTRAL ABU 50 P Art-No. 1415051**  
waste container, 50 liters, stainless steel, powder coated (white RAL 9010), self-closing, maintenance free insertion flap made of stainless steel, free standing or for wall mounting  
Dimensions W 380 x H 680 x D 250 mm

..... pcs. **SanTRAL ABU 50 E Art-No. 1415050**  
waste container, 50 liters, stainless steel, brushed and ground, self-closing, maintenance free insertion flap made of stainless steel, free standing or for wall mounting  
Dimensions W 380 x H 680 x D 250 mm

Product: **SanTRAL®**  
Manufacturer: OPHARDT HYGIENE-TECHNIK GmbH + Co. KG