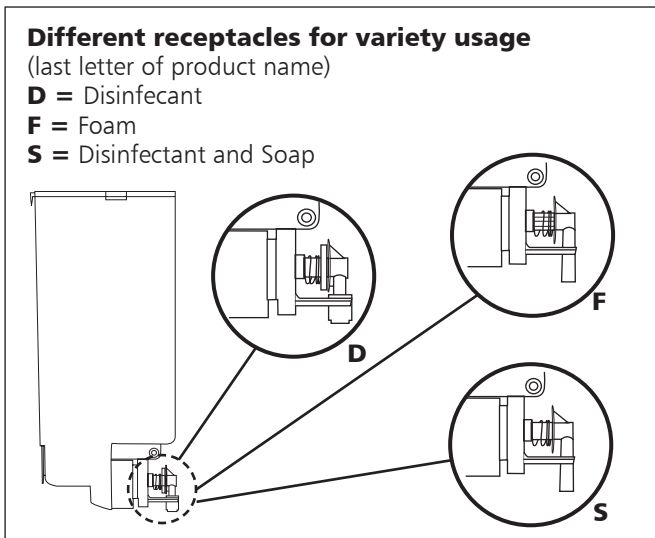
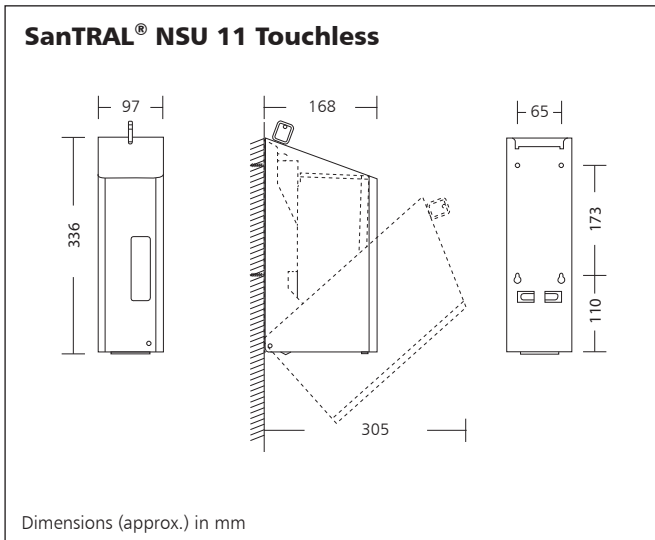


SanTRAL® NSU 11 Touchless

dispenser for liquid soap (S), foam soap (F),
disinfectant (D) • touchless • refillable
free choosable products • lockable • 1200 ml



Dispenser

- ▶ for dosing of liquid and creamy soaps, washing-up liquids, disinfectants etc.
- ▶ old people's-nursing homes, hospitals, laboratories, large kitchens, food industry, industry, shopping centers, gastronomy and hotels, airports, penal institutions, schools, sport facilities, administrations

References:

Place of application:

- ▶ washrooms, toilets, baths, care and medical rooms, kitchens, production sites, offices

Technical Data

Housing:	Stainless steel, ground with Anti-Fingerprint-Coating or powder coated (white RAL 9010)
Window:	Plastic, clear
Dosing pump:	for liquid soap: plastic, approx. 1,5 ml/stroke for disinfectant: plastic, approx. 0,7 ml/stroke for foam soap: plastic, approx. 1,0 ml/stroke
Lock:	Plastic (antivandalism function)
Key:	Plastic
Wall mounting:	with 4 rawl plugs and stainless steel screws
Receptacle:	PP-refill receptacle, detachable

Description for tender

SanTRAL® NSU 11 Touchless E/D Art.-No. 1419396

..... pcs. dispenser for disinfectants, 1200 ml, stainless steel, ground, with Anti-Fingerprint-Coating touchless, approximation sensor, special lock (antivandalism function), window for the level control, detachable refill receptacle, fillable with the product of your choice, housing with pitch of the roof against placing on the dispenser, with safety catch
Dimensions W 97 x H 336 x D 168 mm

SanTRAL® NSU 11 Touchless P/D Art.-No. 1419393

..... pcs. dispenser for disinfectants, 1200 ml, stainless steel, powder coated (white RAL 9010), touchless, approximation sensor, special lock (antivandalism function), window for the level control, detachable refill receptacle, fillable with the product of your choice, housing with pitch of the roof against placing on the dispenser and safety catch
Dimensions W 97 x H 336 x D 168 mm

please turn round - resumption at the overleaf!

Continued tender:
SanTRAL® NSU 11 Touchless



Ophardt Hygiene-Technik GmbH + Co. KG
Lindenau 27 • D-47661 Issum
Tel.: +49 2835 18-0 • Fax: +49 2835 18-77
E-Mail: customers@ophardt.com • www.ophardt.com

..... pcs. **SanTRAL® NSU 11 Touchless E/F**
Art.-No. 1419397
dispenser for foam soap, 1200 ml,
stainless steel, ground,
with Anti-Fingerprint-Coating
touchless, approximation sensor,
special lock (antivandalism function),
window for the level control,
detachable refill receptacle, fillable with the
product of your choice,
housing with pitch of the roof against placing
on the dispenser and safety catch
Dimensions W 97 x H 336 x D 168 mm

..... pcs. **SanTRAL® NSU 11 Touchless P/F**
Art.-No. 1419394
dispenser for foam soap, 1200 ml,
stainless steel, powder coated
(white RAL 9010),
touchless, approximation sensor,
special lock (antivandalism function),
window for the level control,
detachable refill receptacle, fillable with the
product of your choice,
housing with pitch of the roof against placing
on the dispenser and safety catch
Dimensions W 97 x H 336 x D 168 mm

..... pcs. **SanTRAL® NSU 11 Touchless E/S**
Art.-No. 1419395
dispenser for disinfectant and liquid soap,
1200 ml, stainless steel, ground,
with Anti-Fingerprint-Coating
touchless, approximation sensor,
special lock (antivandalism function),
window for the level control,
detachable refill receptacle, fillable with the
product of your choice,
housing with pitch of the roof against placing
on the dispenser and safety catch
Dimensions W 97 x H 336 x D 168 mm

..... pcs. **SanTRAL® NSU 11 Touchless P/S**
Art.-No. 1419392
dispenser for disinfectant and liquid soap,
1200 ml, stainless steel, powder coated
(white RAL 9010),
touchless, approximation sensor,
special lock (antivandalism function),
window for the level control,
detachable refill receptacle, fillable with the
product of your choice,
housing with pitch of the roof against placing
on the dispenser and safety catch
Dimensions W 97 x H 336 x D 168 mm

Product: **SanTRAL®**
Manufacturer: OPHARDT HYGIENE-TECHNIK GmbH + Co. KG