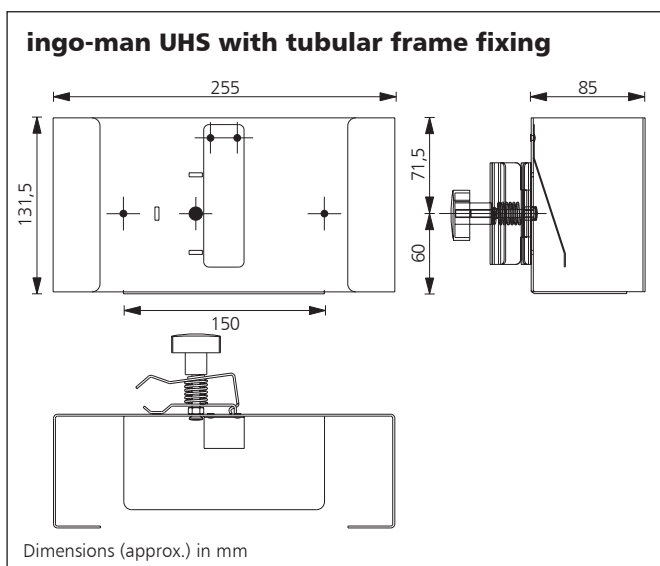
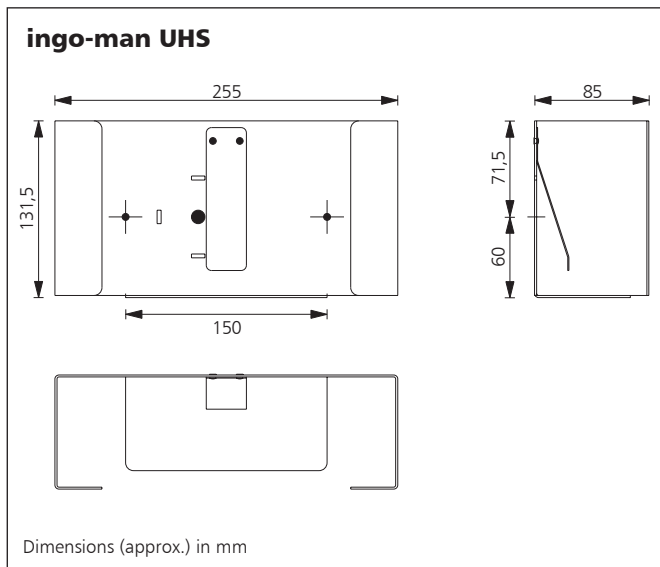


# ingo-man® UHS E • RRH

holding system for examination gloves • stainless steel  
for all current package sizes  
for wall mounting or tubular frame fixing

**OPHARDT**  
hygiene

Ophardt Hygiene-Technik GmbH + Co. KG  
Lindenau 27 • D-47661 Issum  
Tel.: +49 2835 18-0 • Fax: +49 2835 18-77  
E-Mail: info@ophardt.com • www.ophardt.com



## Holding system for examination gloves

- ▶ for universal application
- ▶ for all current package sizes
- ▶ made of stainless steel, ground

## Technical Data UHS E

Material: Stainless steel, ground  
Wall mounting: with two plugs and stainless steel screws

## Technical Data RRH

Material: Stainless steel  
Mounting: with one stainless steel screw on the holding system

## Description for tender

..... pcs. **ingo-man UHS E** Art.-No. 1413316  
dispenser for examination gloves,  
stainless steel, ground  
Dimensions: W 255 x H 131,5 x D 85 mm

..... pcs. **ingo-man RRH** Art.-No. 1413329  
mounting set for tubular frame fixing

Product: **ingo-man®**  
Manufacturer: OPHARDT HYGIENE-TECHNIK GmbH + Co. KG