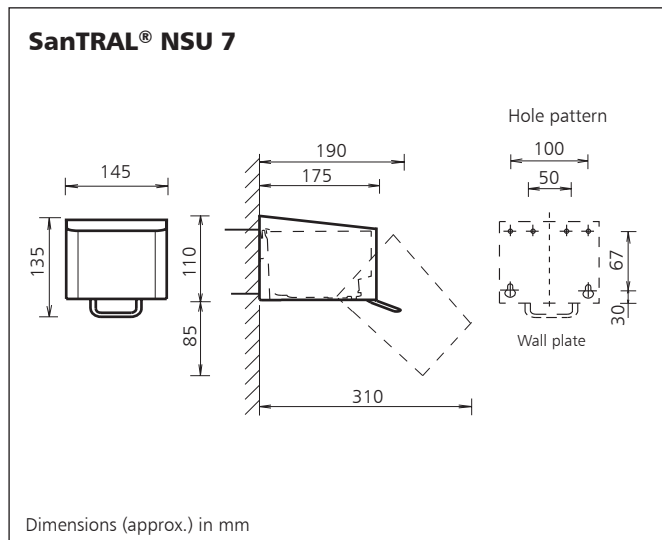


SanTRAL® NSU 7

dispenser for liquid soap • refillable
with trick lock • free choosable products
lockable • very compact

OPHARDT
hygiene

Ophardt Hygiene-Technik GmbH + Co. KG
Lindenau 27 • D-47661 Issum
Tel.: +49 2835 18-0 • Fax: +49 2835 18-77
E-Mail: info@ophardt.com • www.ophardt.com



Dispenser

- ▶ for dosing of liquid soaps
 - ▶ very compact for areas with limited space
- References:
- ▶ old people's-nursing homes, hospitals, laboratories, large kitchens, food industry, industry, shopping centers, gastronomy and hotels, airports, penal institutions, schools, sport facilities, administrations

Place of application:

- ▶ washrooms, toilets, baths, care and medical rooms, kitchens, production sites, offices,

Technical Data

Housing:	Stainless steel brushed with Anti-Finger-print-Coating or powder coated white (RAL 9010)
Window:	Plastic, clear
Dosing pump:	Plastic, approx. 1,0 ml/stroke (in dependence on viscosity of the product)
Operating lever:	Stainless steel
Lock:	Plastic, keyless opening of the housing
Wall mounting:	6-point-suspension with six plugs and stainless steel screws
Receptacle:	PP-refill receptacle, detachable

Description for tender

..... pcs. **SanTRAL® NSU 7 E Art.-No. 1417160**
dispenser for liquid soap, 700 ml, stainless steel brushed with Anti-Finger-print-Coating, operating lever made of stainless steel, pressure application, with trick lock (hidden release button), window for monitoring filling level, detachable refill receptacle, fillable with the product of your choice, housing with pitch of the roof against placing on the dispenser
Dimensions W 145 x H 135 x D 190 mm

..... pcs. **SanTRAL® NSU 7 P Art.-No. 1417161**
dispenser for liquid soap, 700 ml, stainless steel powder coated white (RAL 9010), operating lever made of stainless steel, pressure application, with trick lock (hidden release button), window for monitoring filling level, detachable refill receptacle, fillable with the product of your choice, housing with pitch of the roof against placing on the dispenser
Dimensions W 145 x H 135 x D 190 mm

Product: **SanTRAL®**
Manufacturer: OPHARDT HYGIENE-TECHNIK GmbH + Co. KG